

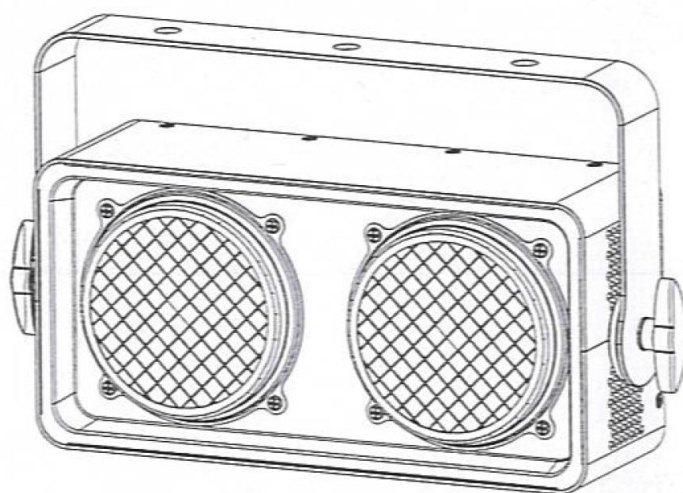
# SHOWPRO

# EK

## Blinder II

USER MANUAL

LEDNIT230



# Blinder II

**WARNING!** Before carrying out any operations with the unit, carefully read this instruction manual and keep it with care for future reference. It contains important information about the installation, usage, and maintenance of the unit.

## **SAFETY**

### **General instructions**

- The products referred to in this manual conform to the European Community Directives and are therefore marked with CE.
- The unit is supplied with hazardous network voltage (230V~). Leave servicing to skilled personnel only. Never make any modifications on the unit not described in this instruction manual, otherwise you will risk an electric shock.
- Connection must be made to a power supply system fitted with efficient earthing (Class I appliance according to standard EN 60598-1). It is, moreover, recommended to protect the supply lines of the units from indirect contact and/or shorting to earth by using appropriately sized residual current devices.
- The connection to the mains network must be carried out by a qualified electrical installer. Check that the main frequency and voltage correspond to those for which the unit is designed as given on the electrical data label.
- The unit is not for home use, only professional applications.
- Never use the fixture under the following conditions:
  - In places subject to vibrations or bumps
  - In places with temperatures over 40°C
- Make certain that no flammable liquids, water, or metallic objects enter the fixture.
- Do not dismantle or modify the fixture.
- All work must be carried out by qualified technical personnel. Contact the nearest sales point for an inspection or contact the manufacturer directly.
- If the unit is to be put of operation definitively, take it to a local recycling plant for a disposal which is not harmful to the environment.

### **Warnings and installation precautions**

- If this device will be operated in any way different to the one described in this manual, it may suffer damage and the warranty becomes void. Furthermore, any other operation may lead to dangers like short circuit, burns, electrical shock, etc.
- Before starting any maintenance or cleaning the fixture, cut off power from the main supply.
- Always additionally secure the fixture with a safety cable. When carrying out any work, always comply with all the regulations (particularly regarding safety) currently in force in the country in which the fixture is being used.
- Install the fixture in a well-ventilated place.
- Keep any flammable material at a safe distance from the fixture.
- Shields, lenses, or ultraviolet screens shall be changed if they have become damaged to such an extent that their effectiveness is impaired.
- The lamp (LED) shall be changed if it has become damaged or thermally deformed.
- Never look directly at the light beam. Please note that flashing lights, may trigger epileptic seizures in photosensitive persons or persons with epilepsy.
- Do not touch the product's housing when operating because it may be very hot.

# INTRODUCTION

Blinder II is a warm white LED audience blinder with a modern design and advanced features designed to reproduce the look and feel of the classic incandescent effect.

## Features

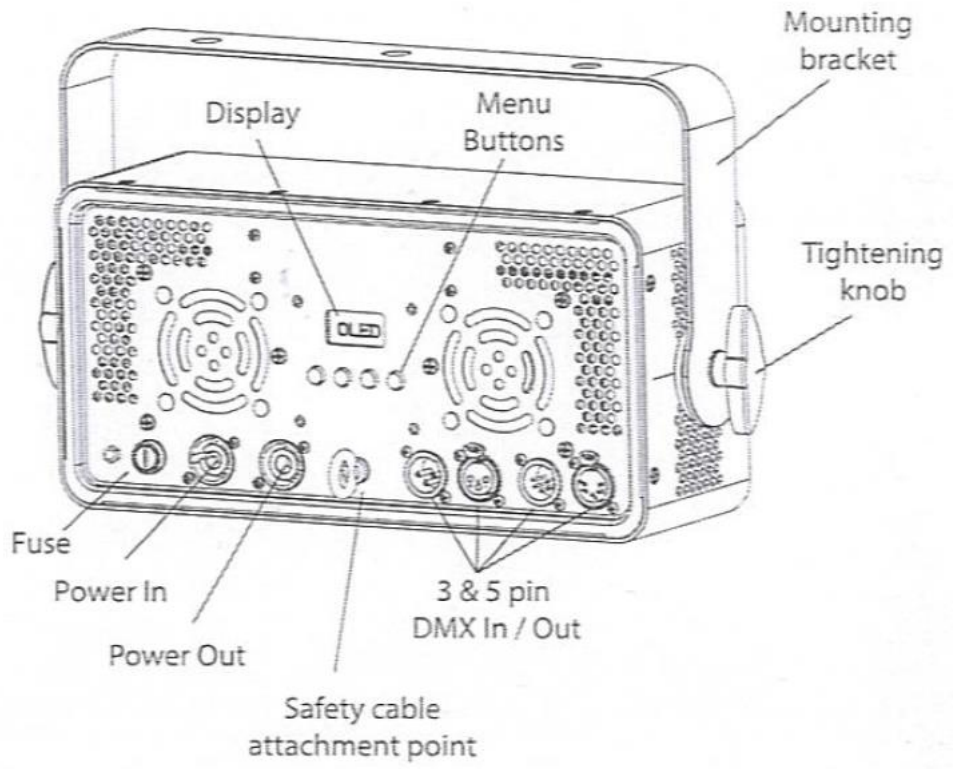
- 2 x 100w warm white LEDs, driven by 78w per source
- Flicker free output with selectable PWM frequencies for worry free video
- Rugged tour-grade design with innovative mounting options
- Onboard macros make for easy programming and effects
- Power linking (Powercon In/Out)
- 3 and 5 pin DMX control

## Specifications

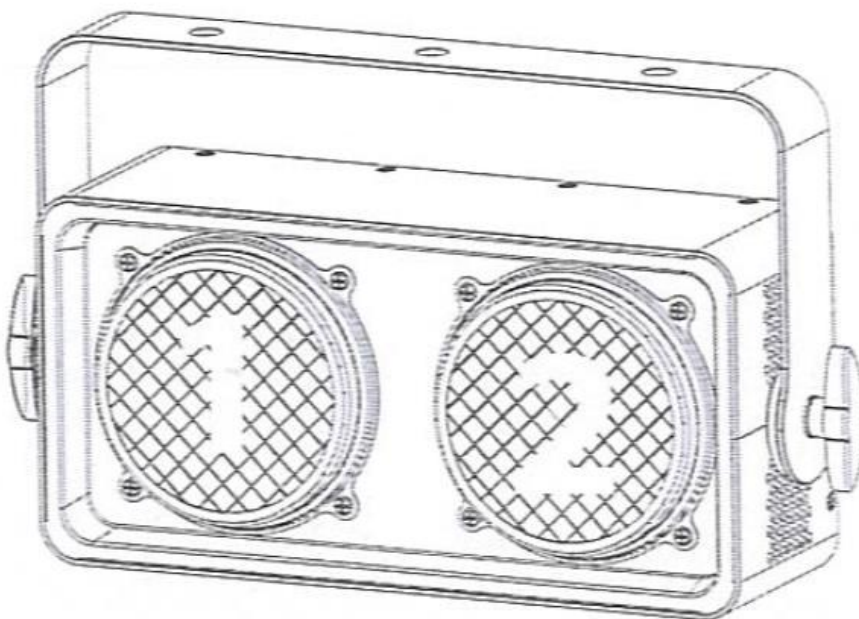
Light Source:	100w white LED 3000K (5000K version available)
LED Driver:	78w
Output:	400 lux @ 5 metres
Beam Angle:	60°
Field Angle:	90°
Strobe:	0-30Hz
Dimmer:	4 dimming curves
Control:	DMX, Auto (Standalone)
Display:	OLED function menu with 4 touch buttons
DMX Channels:	1 / 2 / 4 / 7
Mains:	100 – 240V, 50/60Hz
Consumption:	156w
Protocol:	DMX512, RDM
Power Connections:	Powercon In/Out
Power Linking:	Up to 20 units @230V (up to 10 units @ 110V)
DMX Connections:	3 and 5 pin XLR In /Out
Housing Material:	Diecast Aluminium
Finish:	Matte Black
IP Rating:	IP20
Cooling:	Active (variable speed fan)
Dimensions:	372 x 116.5 x 214mm
Weight:	4.5kg

# OVERVIEW

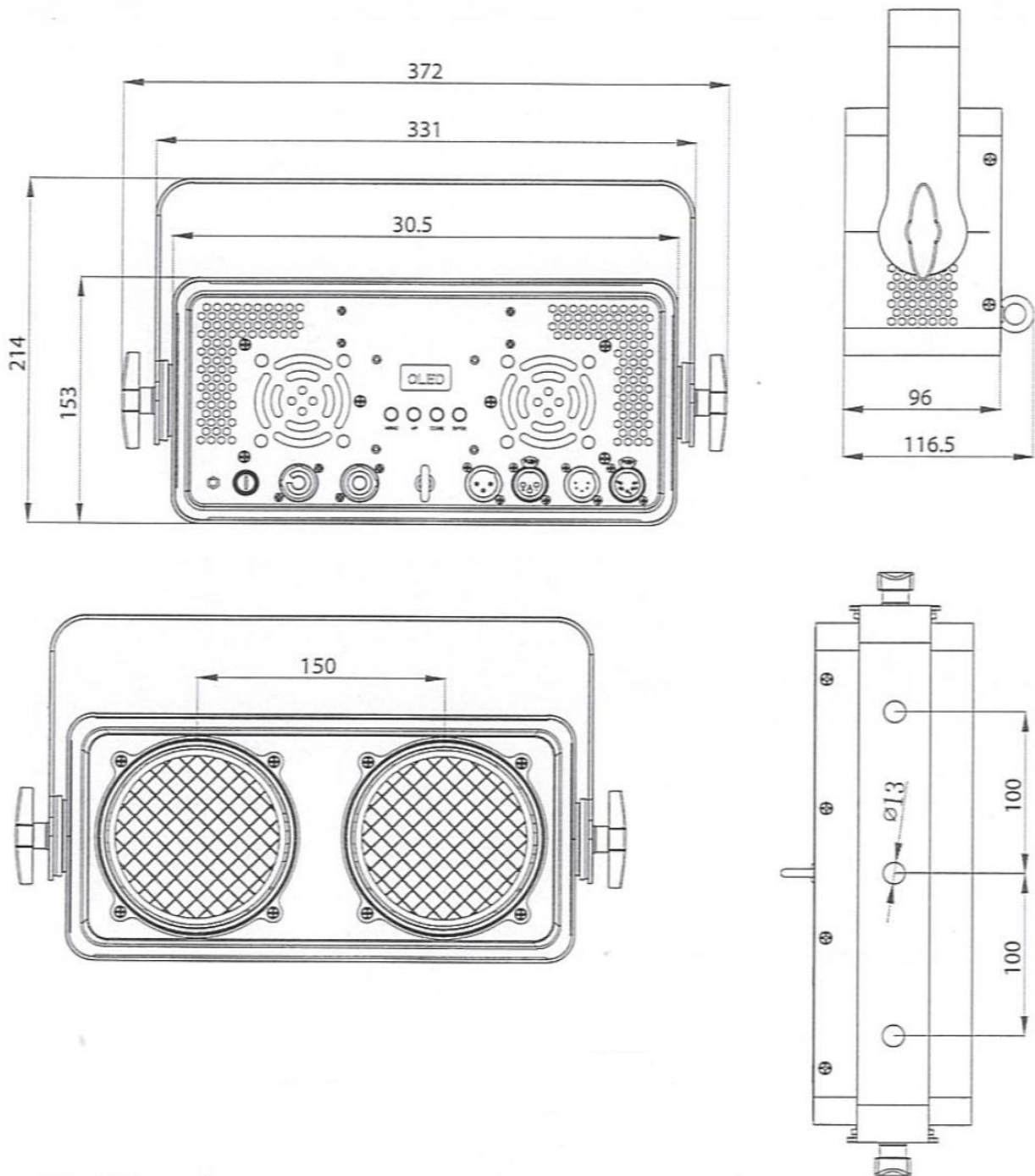
Rear View



Front View



## DIMENSIONS



## BASIC FUNCTIONS AND OPERATION

UP	DOWN	MENU	ENTER
Increase the displayed value, or scroll thru previous menu items	Decrease the displayed value, or scroll thru next menu items	Display main menu, or return to higher menu levels	Confirm displayed values, or activate displayed functions, or enter submenus, or save settings

## Notice

This product is only suitable for indoor use, with a protection level of IP20. The lighting fixtures should be kept clean and use should be avoided in damp or dusty environments.

Maintenance should be carried out every three months.

Qualified professionals are only allowed to install, operate, and maintain lighting fixtures, and ensure strict adherence to the procedures described in this manual.

The lighting fixtures should be installed in a well-ventilated area, at least 50CM away from the wall, and the ventilation holes should be checked for smoothness. Do not look directly at the light source to avoid damage to the eyes.

The electrical connections must be operated by qualified installation personnel.

Each lamp should be securely grounded and electrically installed in accordance with relevant standards.

Do not use power cords with damaged insulation layer, and do not place the power cord on other wires. When the lamp is not in use or clean, please unplug the power cord and do not forcefully plug or drag the power cord directly.

If the back cover of the lamp is equipped with a safety buckle or connection hole, for safety reasons, please use a safety rope to penetrate the connection hole for auxiliary lifting.

## MENU

MODE	OPTIONS/VALUES		DESCRIPTION
DMX Address	001 – 512		Selects DMX Address
DMX Channel	1 Ch		1 channel: master dimmer
	2 Ch		2 channel: dimmer heads 1 and 2
	4 Ch		4 channel: dimmers, strobe
	7 Ch		7 channel: master dimmer, individual heads dimmer, strobe, macro, macro speed, dimmer curve
Static (manual)	Dimmer	0-255	Sets intensity
	Strobe		Selects strobe frequency
Auto Show	Auto 1-6	Speed 0-100	Macros
Master/Slave	Master		Master mode
	Slave		Slave mode
Dimmer Mode	Off		No Dimmer
	Dimmer 1 – 3		Select Curves Dimmer 1 (fast) – Dimmer 3 (slow)
LED Frequency	600Hz		PM Frequency
	1200Hz		
	2000Hz		
	4000Hz		
	6000Hz		
	25kHz		
Fan Mode	Auto		Fan Control
	On		

Back Light	On	Display backlight always on
	10s	Display backlight off after 10 seconds of inactivity
	20s	Display backlight off after 20 seconds of inactivity
	30s	Display backlight off after 30 seconds of inactivity
Information	Fixture Hours	Shows usage hours
	Version	Shows firmware version
Factory Reset	No	Reload default factory settings
	Yes	

## DMX CHARTS

1Ch	Function	Value	Setting
1	Dimmer	000 – 255	0 – 100%

2Ch	Function	Value	Setting
1	Dimmer Head 1	000 – 255	0 – 100%
2	Dimmer Head 2	000 – 255	0 – 100%

4Ch	Function	Value	Setting
1	Master Dimmer	000 – 255	0 – 100%
2	Dimmer Head 1	000 – 255	0 – 100%
3	Dimmer Head 2	000 – 255	0 – 100%
4	Strobe	000 – 010	No Function
		011 – 255	Strobe frequency slow to fast

7Ch	Function	Value	Setting
1	Master Dimmer	000 – 255	0 – 100%
2	Dimmer Head 1	000 – 255	0 – 100%
3	Dimmer Head 2	000 – 255	0 – 100%
4	Strobe	000 – 010	No Function
		011 – 255	Strobe frequency slow to fast
5	Auto Show (Macros)	000 – 010	No Function
		011 – 040	Program 1
		041 – 080	Program 2
		081 – 120	Program 3
		121 – 170	Program 4
		171 – 220	Program 5
6	Auto Show Speed	221 – 255	Program 6
		000 – 255	Speed slow to fast
7	Dimmer Speed	000 – 051	Menu Set
		052 – 101	Linear Dimmer Curve
		102 – 152	Dimmer Curve 1 (fast)
		153 – 203	Dimmer Curve 2
		204 – 255	Dimmer Curve 3 (slow)

# MAINTENANCE

## Maintenance and cleaning the unit

- Make sure the area below the installation place is free from unwanted persons during setup.
- Switch off the unit, unplug the main cable and wait until the unit has cooled down.
- All screws used for installing the device and any of its parts should be tightly fastened and should not be corroded.
- Housing, fitting points and installation spots (ceiling, trusses, suspensions) should be completely free of deformation.
- The main cables should be undamaged and must be replaced if even a small problem is detected.
- It is recommended to clean the front at regular intervals, from impurities caused by dust, smoke, or other particles to ensure that the light is radiated at maximum brightness. For cleaning, disconnect the main plug from the socket. Use a soft, clean cloth moistened with a mild detergent. Then carefully wipe the part dry. For cleaning other housing parts use only a soft, clean cloth. Never use a liquid, it might penetrate the unit and cause damage to it.

## Fuse Replacement

1. Disconnect this product from the power outlet.
2. Using a screwdriver, unscrew the fuse holder cap from the housing.
3. Remove the blown fuse and replace with a good fuse of the same type and rating (250V/T3.15A).
4. Screw the fuse holder cap back into place and reconnect power.

# TROUBLESHOOTING

Problems	Possible Causes	Checks and Remedies
Fixture does not light up	-No mains supply -Dimmer fader set to 0 -Faulty LED -Faulty LED board	-Check the supply voltage -Increase the value of the dimmer channels -Replace the LED board -Replace the LED board
General low light intensity	-Dirty lens assembly -Misaligned lens assembly	-Clean the fixture regularly -Install lens assembly properly
Fixture does not power up	-No power -Loose or damaged power cord -Faulty internal power supply	-Check for power at power outlet -Check power cord -Replace internal power supply

Contact an authorized service centre in case of technical problems or not reported in the table cannot be resolved by the procedure given in the table.



## OPTIONAL MASTER BRACKET ASSEMBLY ILLUSTRATION

